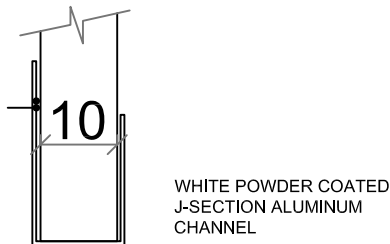
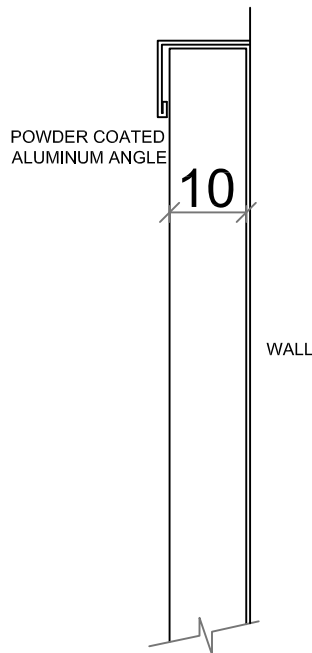


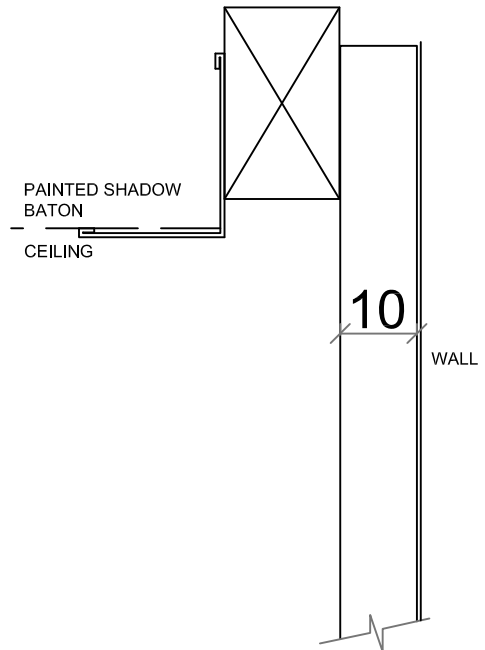
H-PANEL 10mm PVC WALL LINING.
 10mm X 1.22m wide X 2.44m OR 3.048m high



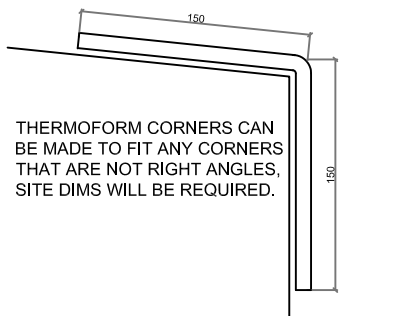
BASE & CEILING J-SECTION CHANNEL 1:1



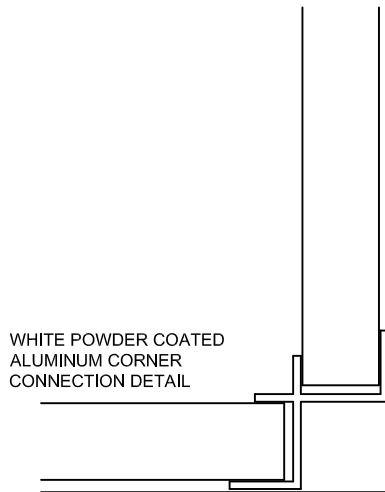
HEAD DETAIL WITHOUT SUSPENDED CEILING 1:1



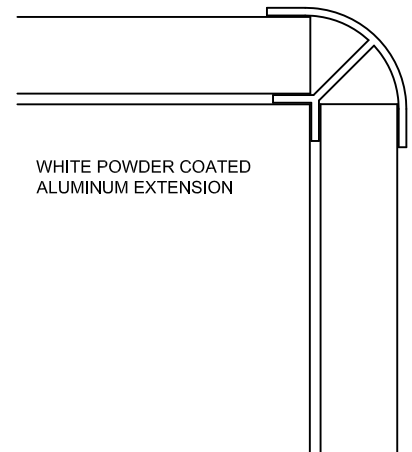
HEAD DETAIL WITH SUSPENDED CEILING 1:1



THERMOFORM CORNERS 1:5



CORNER DETAIL 1:1



EXTENSION DETAIL 1:1

NOTES

H-PANEL SHEET IS BONDED WITH HYGIENIK'S POLYMER BONDING, NEEDING ONE APPLICATION ONLY. ALTERNATIVE TO POLYMER BONDING YOU COULD WELD THE JOINTS AND USE 2 PART BONDING. SEE NBS SPECIFICATION FOR ALTERNATIVES. THERMOFORMED ANGLES FOR NONE-RIGHT ANGLED CORNERS.

CLEANING STRATEGY FOR O&M MANUALS SEE CSO&M DATA SHEET.

NBS Ref: K13/160

© Copyright 2011 Hygienik Systems Ltd
 Hygienik Systems Ltd, Unit 3a, A1 Business Park,
 370 Bradford Road, Brighouse, West Yorkshire, HD6 4DJ

For Further Technical Advice:
 Telephone: 01274 355777
 Email: matt@hygienee.com
 www.hygienee.com